

## "D" SERIES COMMERCIAL STEEL DOOR w/ TRANSOM OUTSWING "NON-IMPACT"

GENERAL NOTES

- This product has been evaluated and is in compliance with the 7th Edition (2020) Florida Building Code (FBC) structural requirements excluding the "High Velocity Hurricane Zone" (HVHZ).
- Product anchors shall be as listed and spaced as shown on details. Anchor embedment to base material shall be beyond wall dressing or stucco.
- When used in areas requiring wind borne debris protection this product is required to be protected with an impact resistant covering that complies with FBC Section 1609.1.2.
- Site conditions that deviate from the details of this drawing require further engineering analysis by a licensed engineer or registered architect.
- The "D" door achieves a Class 1 stiffness classification per Section 8.2.2 of ANSI A250.13 (based on opaque door).

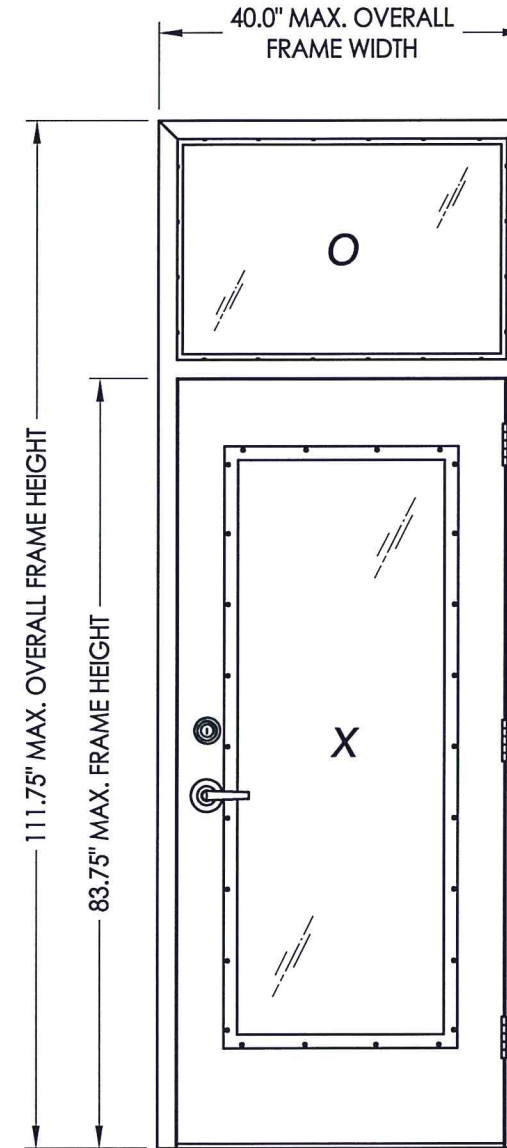


TABLE OF CONTENTS	
SHEET #	DESCRIPTION
1	Typical elevation, design pressures & general notes
2	Door panel details
3	Horizontal cross sections
4	Vertical cross sections
5	Anchoring details
6	Components
7	Bill of materials, glazing details & components

OVERALL FRAME DIMENSION	DOOR D.L.O. DIMENSION	TRANSOM D.L.O. DIMENSION	DESIGN PRESSURE (PSF)	
			POSITIVE	NEGATIVE
40.0" x 111.75"	22.5" x 62.5"	34.75" x 22.75"	+65.0	-70.0

**E. SCHMIDT**  
FLORIDA LICENSE  
No. 43409

**PROFESSIONAL ENGINEER**  
STATE OF FLORIDA  
 November 15, 2022

Documents Prepared By:  
**Lyndon F. Schmidt**  
 P.E. No. 43409

**R.W.**  
 BUILDING CONSULTANTS, INC.  
 P.O. Box 230, Valrico, FL 33595  
 Phone No.: 813.659.9197  
 FBPE Registry No. 9813

PRODUCT:	
PREMIER PRODUCTS, INC. "D" STEEL DOOR	
PART OR ASSEMBLY:	
TYPICAL ELEVATION, DESIGN PRESSURES & GENERAL NOTES	
NO.	DATE
BY	REVISIONS

DATE: 11/10/22

SCALE: N.T.S.

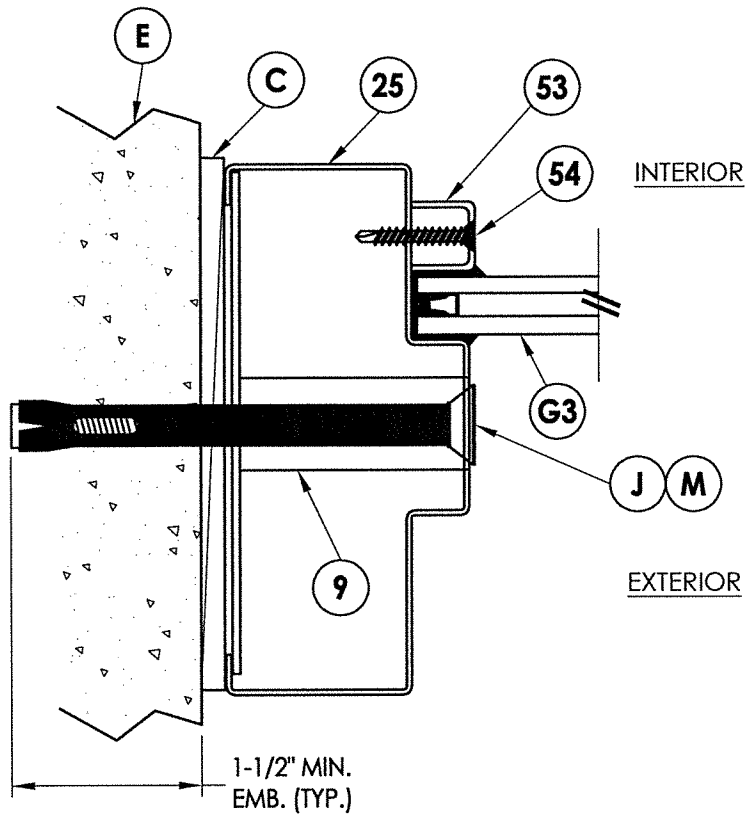
DWG. BY: LFS

CHK. BY: RW

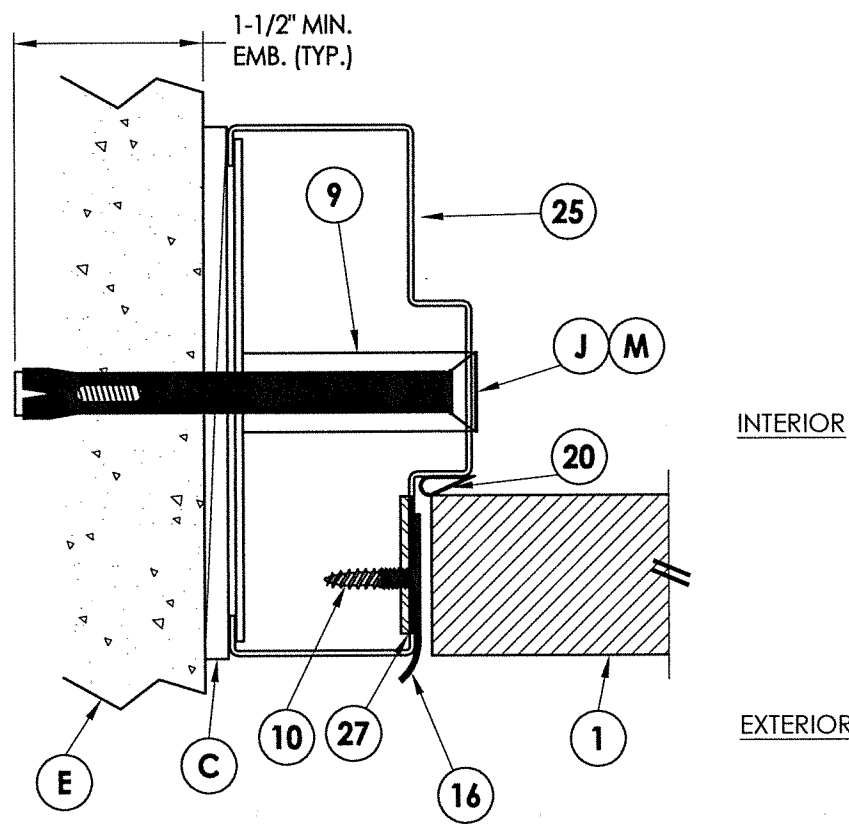
DRAWING NO.: FL-41788.2

SHEET 1 OF 7

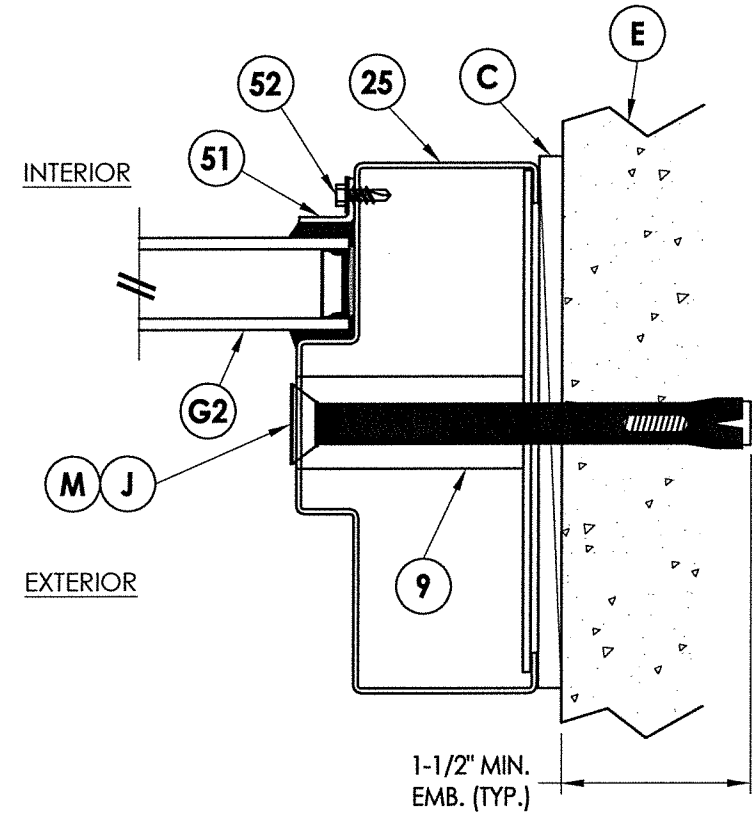
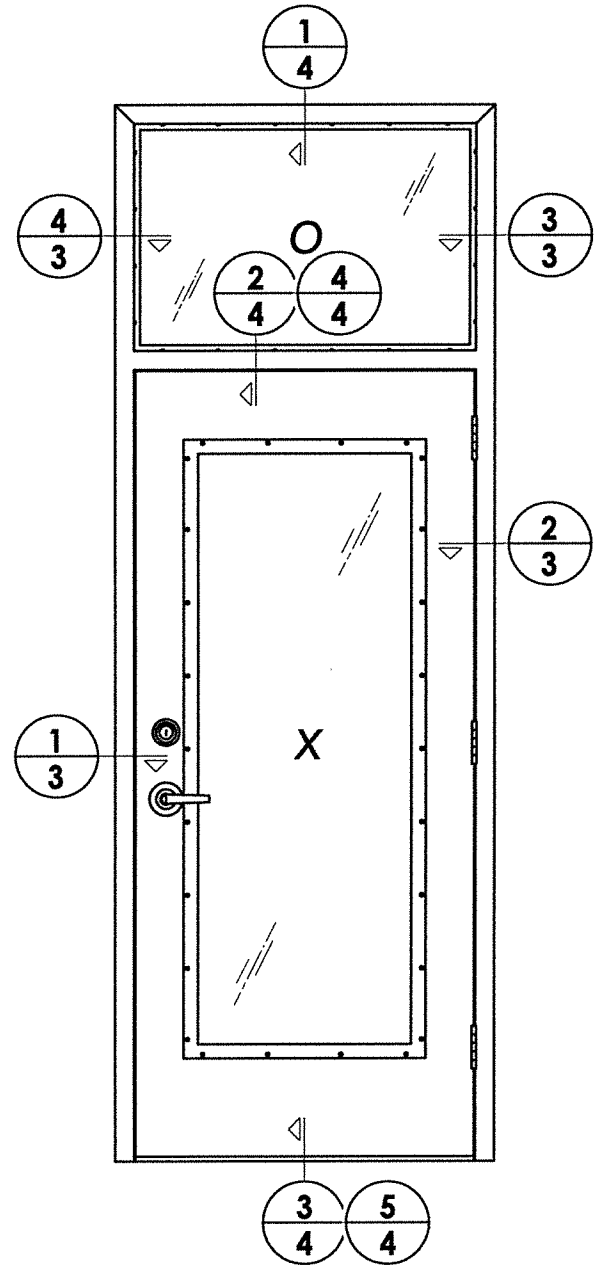




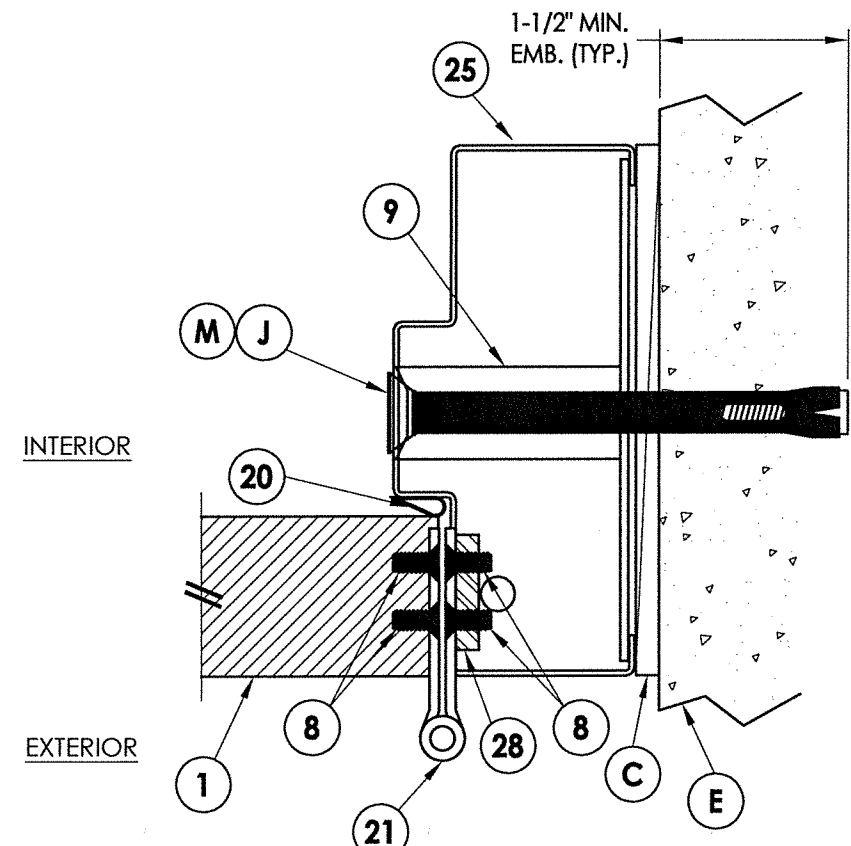
**4** **HORIZONTAL CROSS SECTION**  
**3** Optional glazing



**1** **HORIZONTAL CROSS SECTION**  
**3**



**3** **HORIZONTAL CROSS SECTION**  
**3**

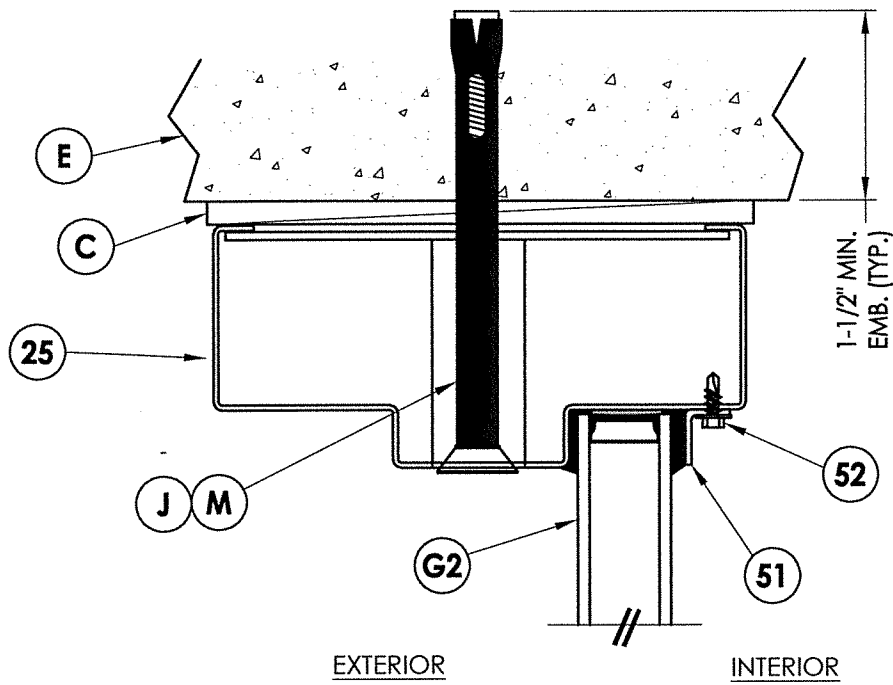


**2** **HORIZONTAL CROSS SECTION**  
**3**

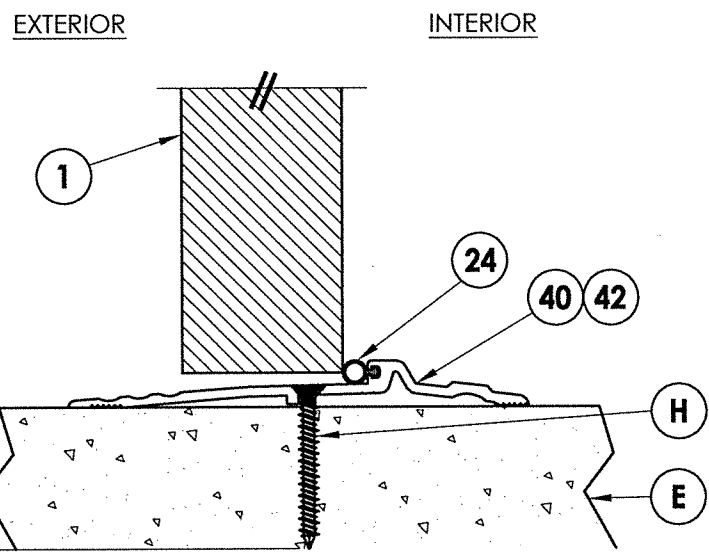
November 15, 2022  
 Documents Prepared By:  
 Lyndon F. Schmidt  
 P.E. No. 43409

**RW**  
 BUILDING CONSULTANTS, INC.  
 P.O. Box 230, Valrico, FL 33595  
 Phone No.: 813.659.9197  
 FBPE Registry No. 9813

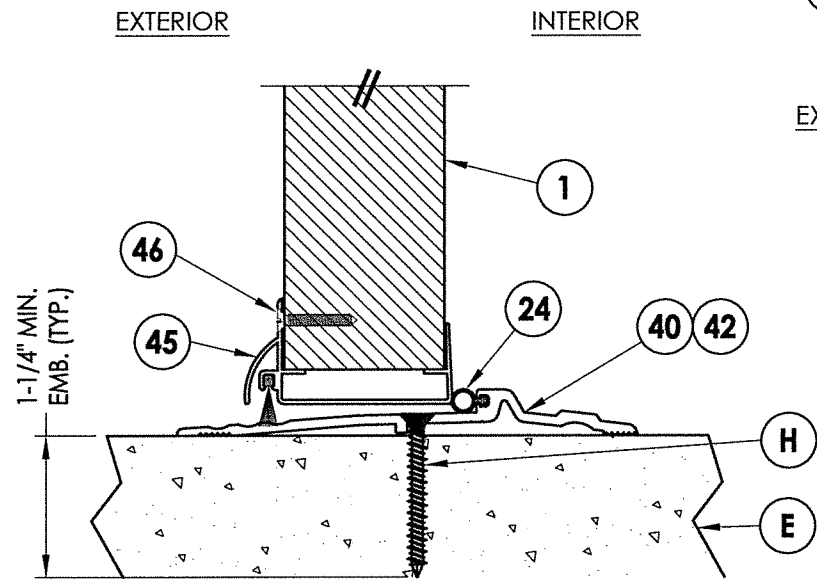
PRODUCT: PREMIER PRODUCTS, INC. "D" STEEL DOOR	PART OR ASSEMBLY: HORIZONTAL CROSS SECTIONS
NO. DATE BY	REVISIONS
DATE: 11/10/22 SCALE: N.T.S. DWG. BY: LFS CHK. BY: RW DRAWING NO.: FL-41788.2 SHEET 3 OF 7	



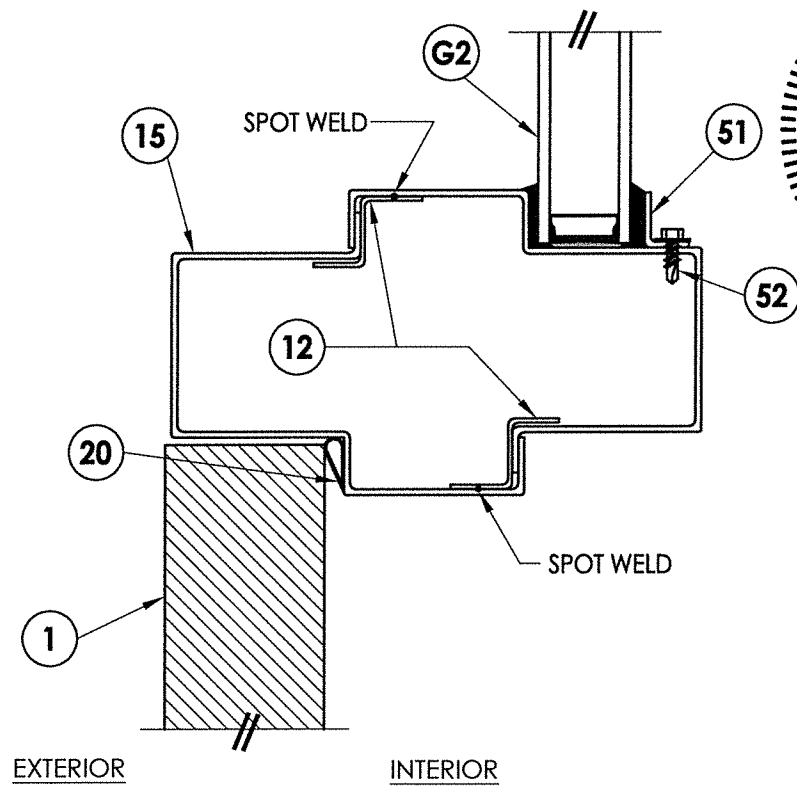
**1**  
**4** VERTICAL CROSS SECTION



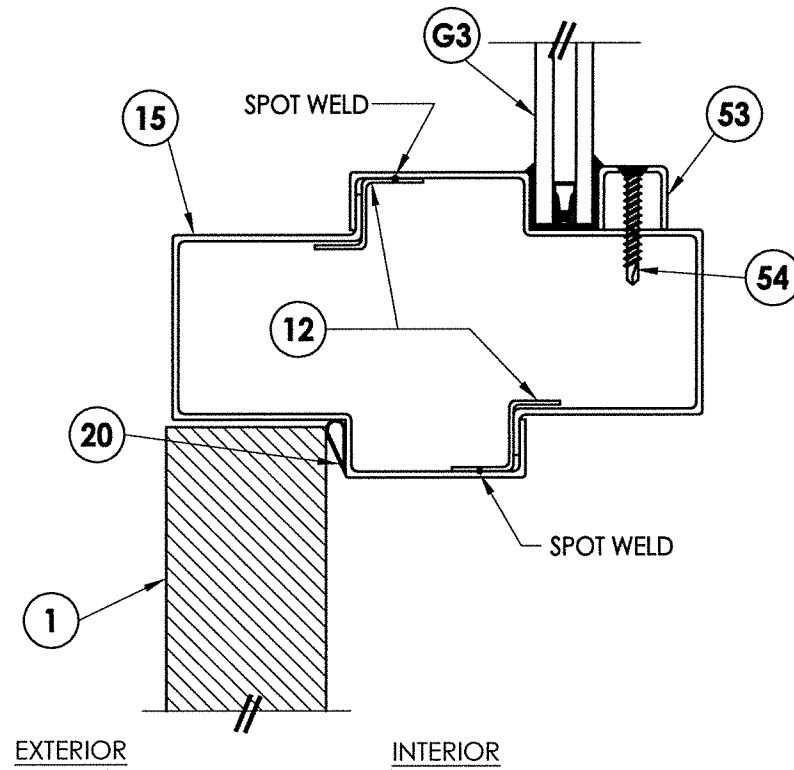
**3**  
**4** VERTICAL CROSS SECTION



**5**  
**4** VERTICAL CROSS SECTION



**2**  
**4** VERTICAL CROSS SECTION



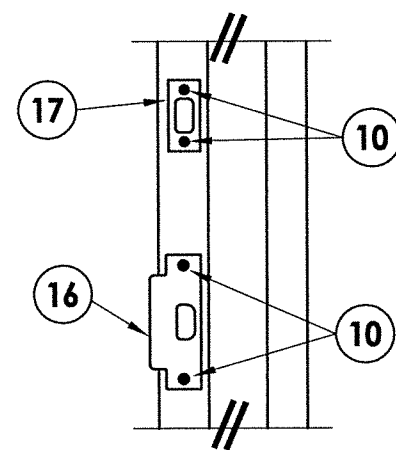
**4**  
**4** VERTICAL CROSS SECTION  
Optional glazing

November 15, 2022  
 Documents Prepared By:  
 Lyndon F. Schmidt  
 P.E. No. 43409

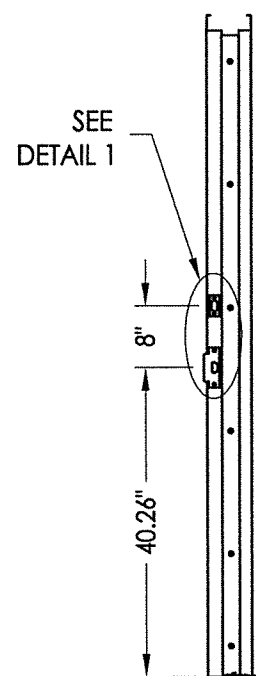
**RW** BUILDING CONSULTANTS, INC.  
 P.O. Box 230, Valrico, FL 33595  
 Phone No.: 813.659.9197  
 FBPE Registry No. 9813

PRODUCT: PREMIER PRODUCTS, INC. "D" STEEL DOOR	PART OR ASSEMBLY: VERTICAL CROSS SECTIONS
NO.	DATE
BY	REVISIONS
DATE: 11/10/22	
SCALE: N.T.S.	
DWG. BY: LFS	
CHK. BY: RW	
DRAWING NO.: FL-41788.2	
SHEET 4 OF 7	

Z:\Clients\Premier Products PERMANENTVA - Florida Product Approvals\FL-41788C - Drawings\FL-41788C - 2020\FL-41788.1-4.dwg

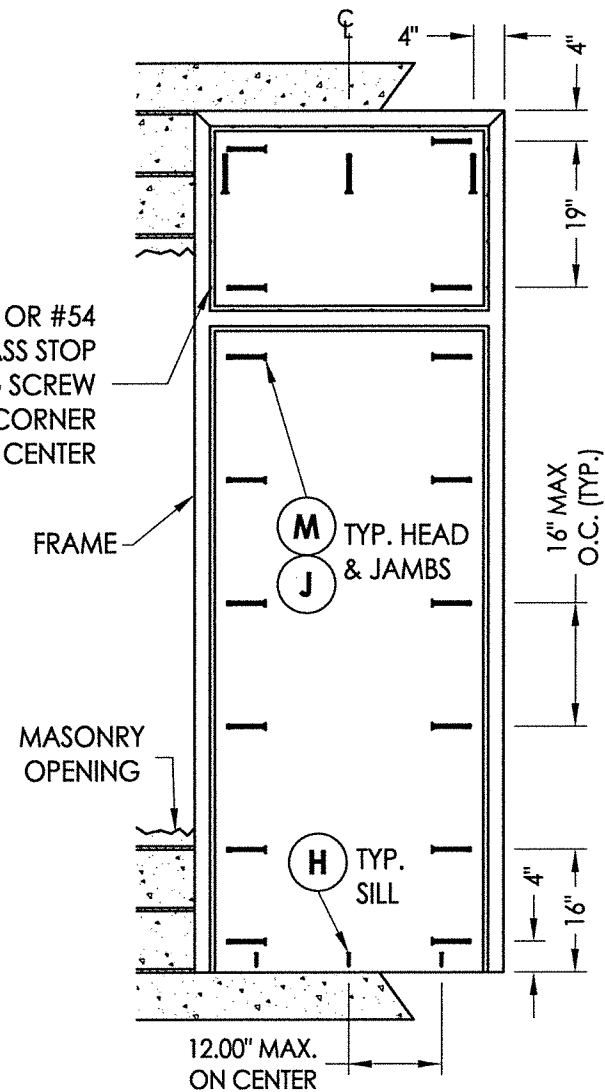


**DETAIL 1**

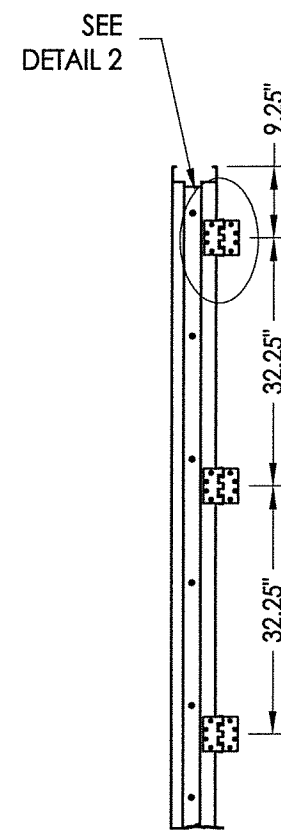


**STRIKE JAMB**

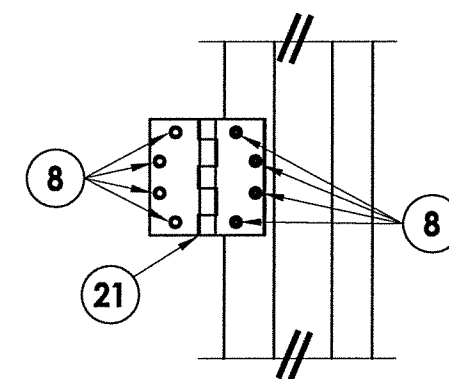
ITEM #52 OR #54  
GLASS STOP  
RETAINING SCREW  
3" FROM CORNER  
6" MAX ON CENTER



**FRAME ANCHORING**



**HINGE JAMB**

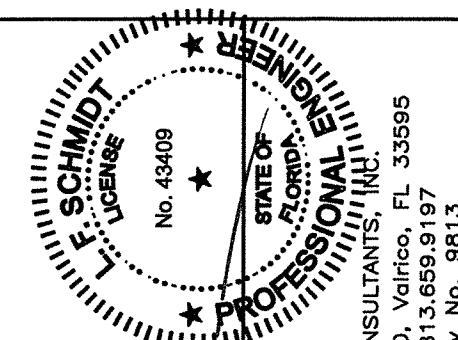


**DETAIL 2**

**ANCHOR NOTES:**

1. Substitution of equal concrete screws from a different supplier may have different edge distance and center distance requirements.
2. Concrete screw locations at the corners may be adjusted to maintain the minimum edge distance to mortar joints. If concrete screw locations noted as "MAX. ON CENTER" must be adjusted to maintain the minimum edge distance to mortar joints, additional concrete screws may be required to ensure the maximum on center dimension is not exceeded.
3. Concrete Anchor Table:

ANCHOR TYPE	ANCHOR SIZE	MINIMUM EMBEDMENT	MINIMUM CLEARANCE TO MASONRY EDGE	MINIMUM CLEARANCE TO ADJACENT ANCHOR
ITW TAPCON®	1/4"	1-1/4"	2-1/2"	4"
DYNABOLT SLEEVE ANCHOR	3/8"	1-1/2"	2-1/4"	4-1/2"
POWERS TAPPER	3/8"	1-1/2"	4"	3-3/4"

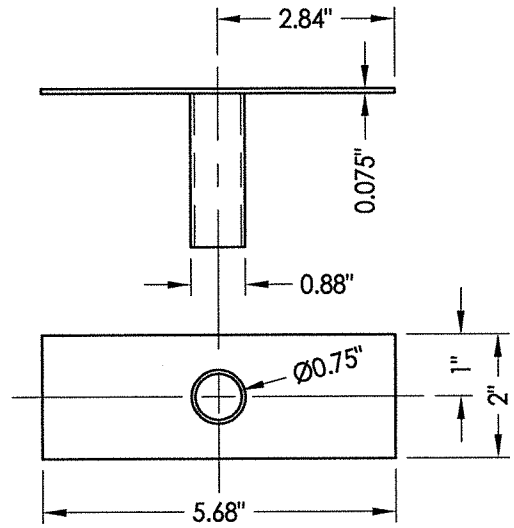


Documents Prepared By:  
Lyndon F. Schmidt  
P.E. No. 43409  
November 15, 2022  
R.W. BUILDING CONSULTANTS, INC.  
P.O. Box 230, Valrico, FL 33595  
Phone No.: 813.659.9197  
FBPE Registry No. 9813

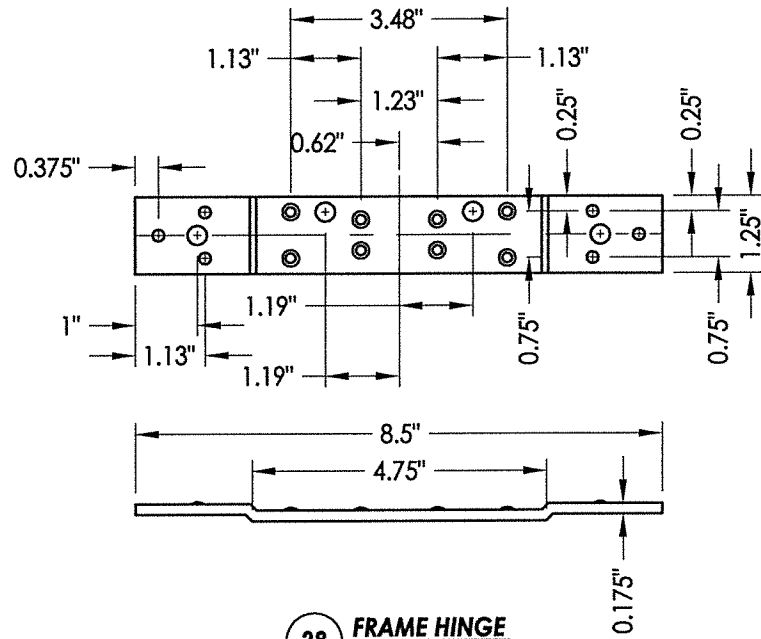
PRODUCT:  
PREMIER PRODUCTS, INC.  
"D" STEEL DOOR  
PART OR ASSEMBLY:  
ANCHORING DETAILS

NO.	DATE	BY

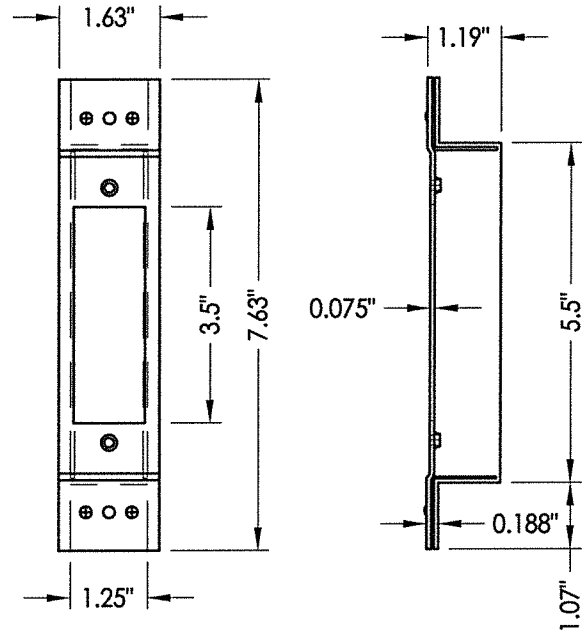
DATE: 11/10/22  
SCALE: N.T.S.  
DWG. BY: LFS  
CHK. BY: RW  
DRAWING NO.: FL-41788.2  
SHEET 5 OF 7



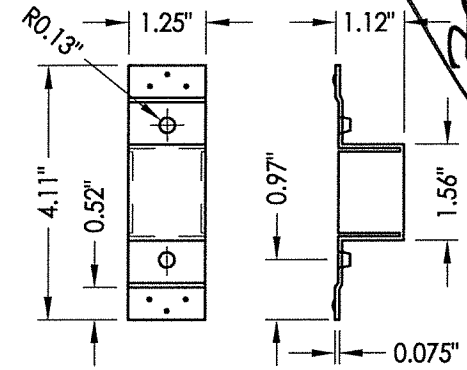
9 TUBE ANCHOR



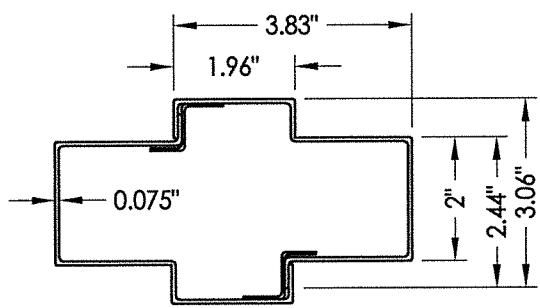
28 FRAME HINGE Reinforcement



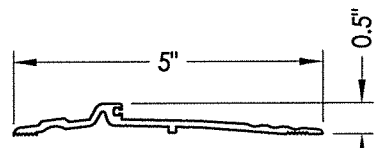
27 LATCH STRIKE REINFORCEMENT



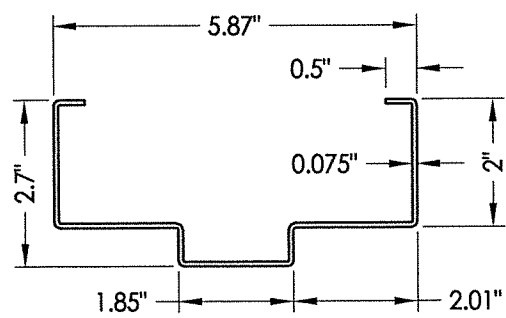
19 DEADBOLT STRIKE REINFORCEMENT



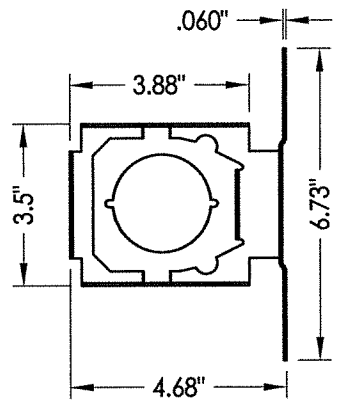
15 MULLION



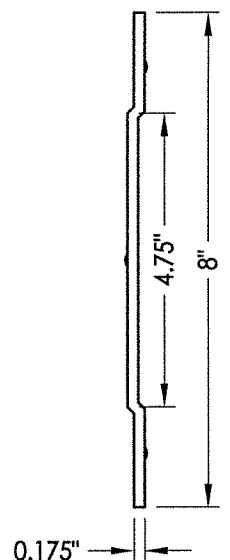
40 THRESHOLD



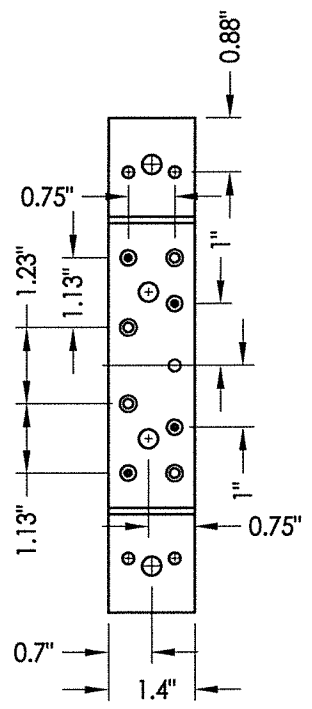
25 HOLLOW METAL FRAME



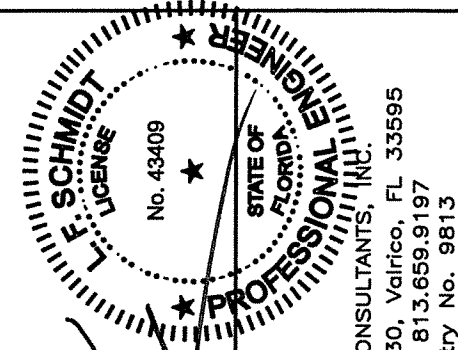
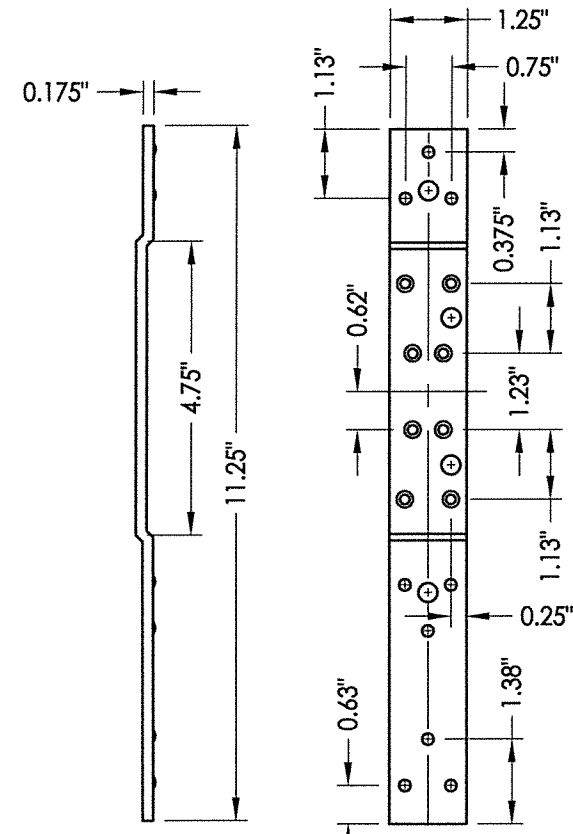
5 LOCK BOX REINFORCEMENT



23 STANDARD (SHORT) DOOR HINGE Reinforcement middle and bottom hinge



22 STANDARD (LONG) DOOR HINGE Reinforcement top hinge



November 15, 2022  
 Documents Prepared By:  
 Lyndon F. Schmidt  
 P.E. No. 43409  
 RW BUILDING CONSULTANTS, INC.  
 P.O. Box 230, Valrico, FL 33595  
 Phone No.: 813.659.9197  
 FBPE Registry No. 9813

PRODUCT: PREMIER PRODUCTS, INC. "D" STEEL DOOR  
 PART OR ASSEMBLY: COMPONENTS

NO.	DATE	BY	REVISIONS

DATE: 11/10/22  
 SCALE: N.T.S.  
 DWG. BY: LFS  
 CHK. BY: RW  
 DRAWING NO.: FL-41788.2  
 SHEET 6 OF 7

